

Checkmat Compact

Compact inspection system for fillers and cappers



A small inspector for big demands



Do you only have little space available? But you still want to run the full program for the fill level and cap inspection? Then the Checkmat Compact is the perfect choice for you. The compact version of the proven Krones inspector requires only a small footprint and still offers everything you expect from your inspection and monitoring system.

At a glance

- Fill level inspection unit and missing cap inspection unit
 - Fill level inspection unit using high-frequency, infrared, camera, gamma or X-ray technology
 - 360° cap inspection unit and tamper-evident ring inspection unit*
- Filler management
 - Production management
 - Quality management
 - Safety management
- Automatic adjustment of the rails and the inspection unit height

* **Prerequisite:** Cap blower for the removal of water drops from the cap and the support ledge



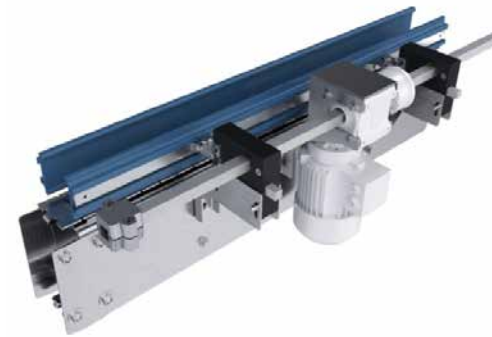
Change-over



Overall view of the Checkmat Compact in the 2.6 metres version

Rail adjustment

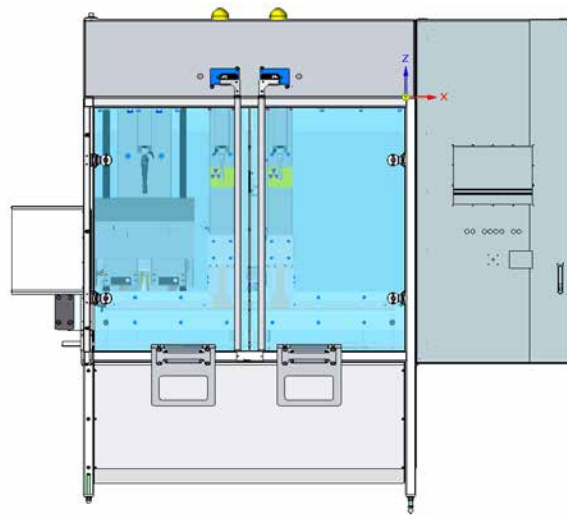
Automatic



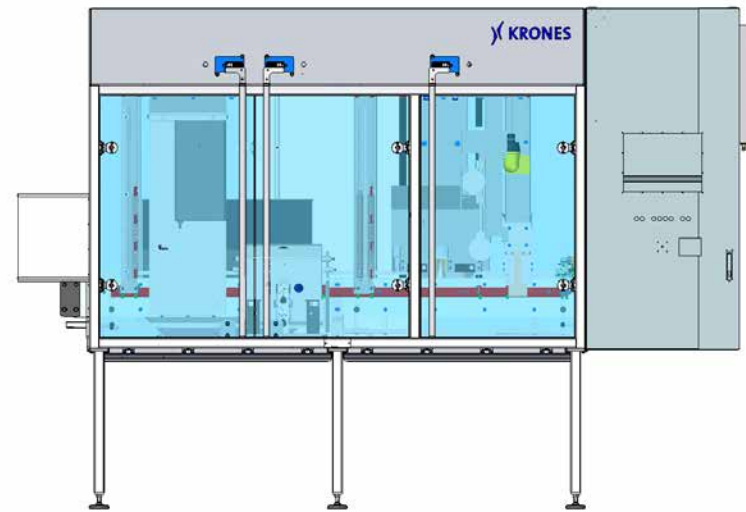
Height adjustment system of the inspection units

Automatic

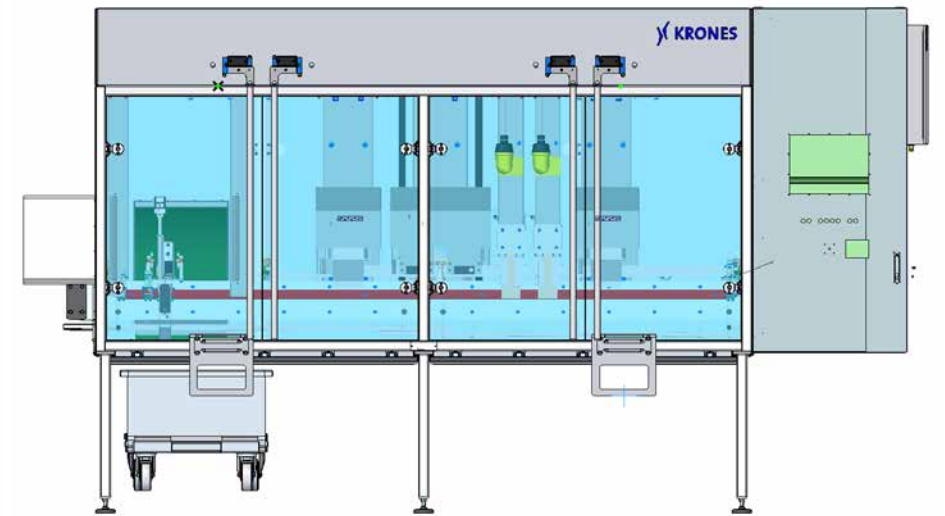
Machine sizes



1.7 metres



2.6 metres



3.4 metres

Safety management



Safety management

2D code test container program

Benefits to you

- Very high product safety
- Simple and low-cost manufacture of the test bottle



Benefits to you



More safety and quality

The Checkmat Compact continuously inspects your containers – and thus ensures that only flawless products go on sale.

Increased efficiency

The inspector detects faulty materials and rejects them safely. In this way, it protects the line from malfunctions and enables a smooth production.

Low space requirements

The Checkmat Compact bears its name for a good reason: Thanks to its compact dimensions, it can also be installed on small footprints.

A lot of functions in just a small space

Even more space saved: The slim machine combines inspection units and a code/dating device system in one unit.



Requesting a new machine

You can easily send a request for a non-binding quotation in our [Krones.shop](#).



Everything from a single source



Training sessions at the Krones Academy – trained personnel for an increased efficiency of your line

The multifaceted offer by the Krones Academy ranges from operation, servicing and maintenance courses all the way to management training. We will gladly also create your individual training programme.

Krones Lifecycle Service – Partner for Performance

It goes without saying that also after the purchase of new machines, Krones takes care of your lines: The Krones LCS experts are always there to help you reaching your goals and turn your wishes into optimal LCS solutions.



**SOLUTIONS
BEYOND
TOMORROW**

